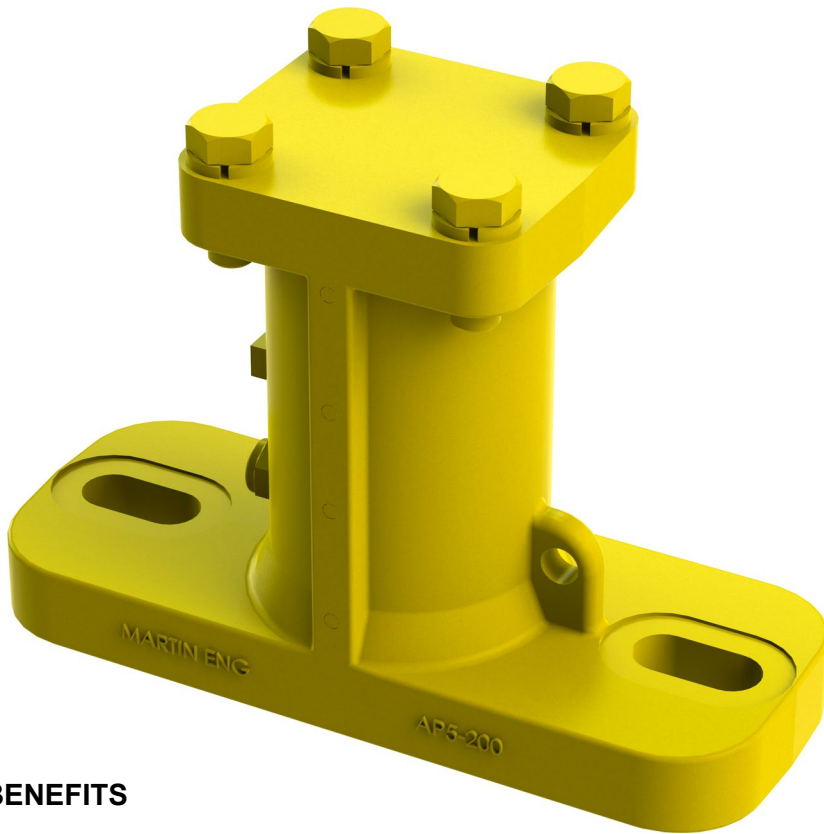


# Martin® AP5 Series Piston Vibrators



## BENEFITS

- **Economical**  
Low initial cost, plus cost savings by eliminating the pounding, poking, and hammering of hoppers, ensures material flow with cost savings.
- **Minimal Maintenance**  
Limited maintenance required for life of the vibrator when used with a filtered and lubricated air supply.
- **Versatility**  
Variable control of force and frequency to meet a variety of material conditions.
- **Slotted Mounting Holes**  
The AP5-200 can be a bolt in direct replacement for nearly all 2" piston vibrators in the marketplace.
- **Exhaust Mufflers**  
The AP5-200 comes standard with exhaust mufflers to attenuate the exhaust noise and aid in preventing dust and dirt from entering the vibrator.

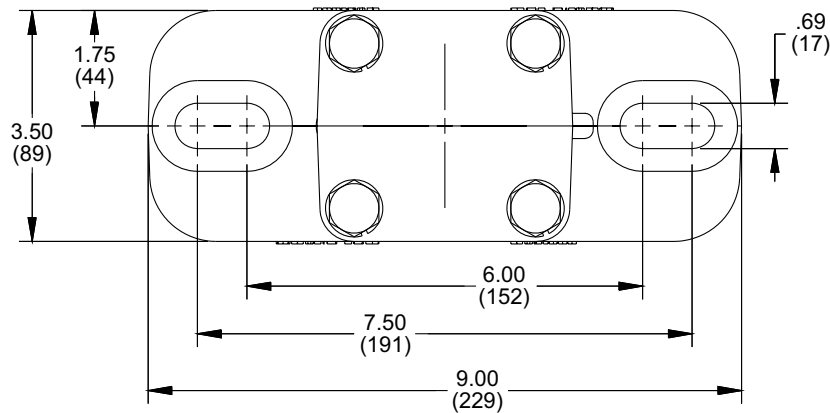
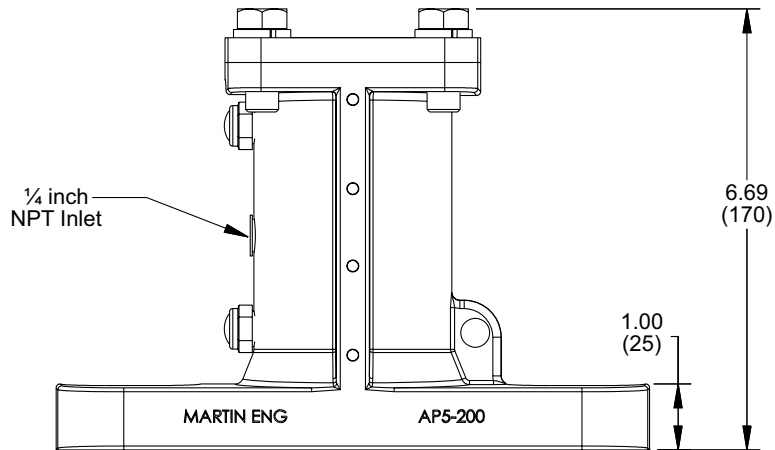
## FEATURES

- Uni-Body Construction
- Hardened pistons
- Low air consumption
- Produces uniform directional force
- Optional  
— air cushioned non-impacting

## Specify Martin for:

- Cost effective solutions
- Expert technical assistance
- Complete service and support

# TECHNICAL DATA SHEET



## PERFORMANCE DATA

Model	Piston Size In.	40 PSI			60 PSI			MAX 80 PSI			dB
		VPM	CFM	Force lb	VPM	CFM	Force lb	VPM	CFM	Force lb	
AP5-200	2	2640	9	504	3180	14	731	3600	18	937	103
AP5-200Q	2	2284	7.7	336	2240	9.8	510	2800	14	628	87

## PART NUMBERS

Model	Description
AP5-200-Y	2-in. impacting piston vibrator
AP5-200S-Y	2-in. impacting piston vibrator with internal spring
AP5-200Q-Y	2-in. non-impacting piston vibrator
AP5-200SI-Y	2-in. timed impactor

## ACCESSORIES

Part Number	Description
29928-02	channel mount
32271	safety cable assembly
36343-NC	solenoid valve 115/1/60, 1/2" npt
14760	filter, regulator, lubricator combination, 1/2" npt
38902-20	on/off cycle timer 115/1/60